



Kraus & Naimer

BLUE LINE switchgear

DC-SWITCH WITH
KNIFE CONTACTS

G20S/G20



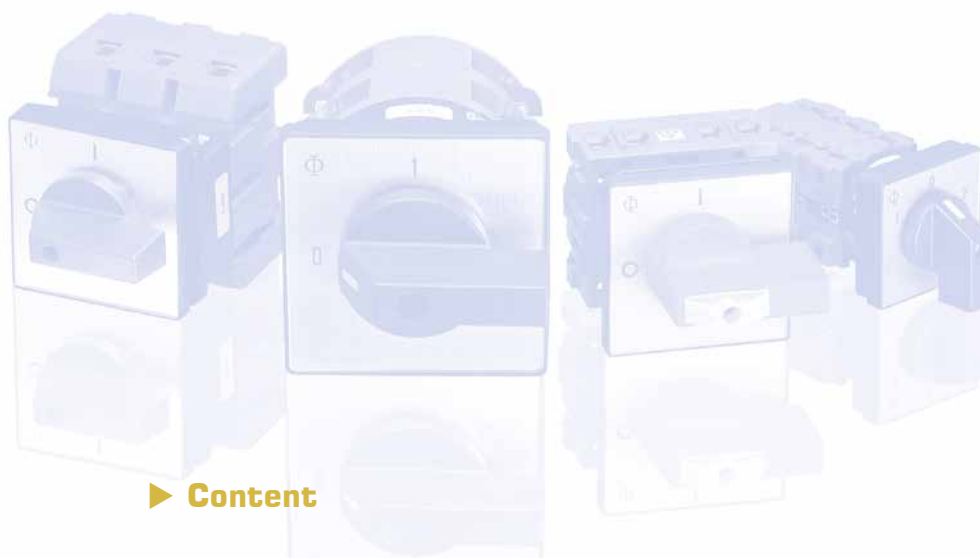
www.krausnaimer.com

next ▶



Kraus & Naimer

BLUE LINE switchgear



► Content

The most important technical data: G20S/G20.....	3
Electrical data of ON/OFF-Switches: G20S/G20.....	4
Electrical data of Change Over Switches: G20S/G20	5
Pre-configured Main Switches: G20	6
Dimensions: Pre-configured Main Switches G20.....	9
Dimensions: G20S/G20	10
Kraus & Naimer-Catalogs.....	11

< For direct link click on the page number >

G20S/G20

► Ideal solution for DC applications

With the **G20S** respectively **G20 Kraus & Naimer** has developed a newly designed DC switch. The compact and rugged disconnecter offers numerous application possibilities including photovoltaic inverters.

The uniquely designed "Knife contacts" result in a switching capacity of 20 Amps at 690V DC (DC-22A) and a high short circuit withstand capability. Finger-proof terminals according to EN 50274 and protection degree IP20 offer maximum safety.

In combination with a standard latching mechanism, the **G20** complies with all regulations required for main switches according to IEC/EN 60204. In addition the G20 is also ideal for AC-applications with high short circuit fault levels, as well as electronic circuitry with low current and voltages.

Of course the **new G-line** can also be combined with many optional extras from the **Kraus & Naimer** product line.

G20S/G20

The most important technical data, according to IEC/EN 60947-3

Rated Insulation Voltage	Ui	690 V AC
Rated Insulation Voltage	Ui	500 V DC
Rated Insulation Voltage	Ui	1000 V AC / DC possible with series connection

Rated Thermal Current	Iu/Ith	20 A
-----------------------	--------	------

Maximum permissible wire gage

Single-core or stranded wire	2 x 2,5 mm ² / AWG 12
Flexible wire	2 x 2,5 mm ² / AWG 14
Flexible wire with sleeving in acc. with DIN 46228	2 x 2,5 mm ²

► Alternative types of connection

G20S-6 G20-6	→	with angled quick connects
G20S-8 G20-8	→	terminal extensions for ring type cable lugs

► General Use

150 V DC	→	G20S 20 Amp.
300 V AC Pilot Duty	→	10 Amp. B 300



Ambient Temperature between -5 °C and +40 °C

► Electrical data of ON/OFF-Switches

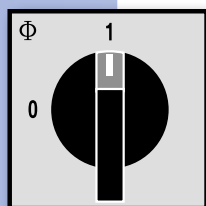
Dimensions
on page 10

Rated Utilization Category	Contacts in series Permissible Voltage						Rated Operational Current Ie/A	
	1	2	3	4	5	6	G20S	G20
DC-21 A	250	500	750	1000	-	-	20	8
	440	880	-	-	-	-	13	4
DC-22 A	250	500	750	1000	-	-	20	2
	330	660	990	-	-	-	10	1
	440	880	-	-	-	-	5	0,5
DC-23 A	24	48	72	96	120	144	20	20
	48	96	144	192	240	288	20	12
	60	120	180	240	300	360	15	5
	110	220	330	440	550	660	12	3
	160	320	480	640	800	960	8	2
	250	500	750	1000	-	-	5	1
	330	660	990	-	-	-	3	0,5
	440	880	-	-	-	-	1	0,25
cULus*	150	300	-	600	-	-	20	-

G20S/G20-ON/OFF-Switches 0-1

SWITCHES

Pole	IEC: 250 V DC-Generale Use UL ¹ : 150 V		500 V 300 V		750 V -		750 V -		1000 V 600 V	
	1 contact in serie	Stages	2 contacts in serie	Stages	2+1 contacts ¹⁾	Stages	3 contacts in serie	Stages	4 contacts in serie	Stages
1 pole	D101	1	D201	2	D351	3	D301	3	D401	4
2 pole	D102	2	D202	4	D352	6	D302	6	D402	8
3 pole	D103	3	D203	6	D353	9	D303	9	D403	12
4 pole	D104	4	D204	8	D354	12	D304	12	-	-
5 pole	D105	5	D205	10	-	-	-	-	-	-
6 pole	D106	6	D206	12	-	-	-	-	-	-



G20S/G20-ON/OFF-Switches 0-1

SWITCH DISCONNECTORS

Pole	250 V 1 contact in serie		500 V 2 contacts in serie		750 V 2+1 contacts ¹⁾		750 V 3 contacts in serie		1000 V 4 contacts in serie	
	1 contact in serie	Stages	2 contacts in serie	Stages	2+1 contacts ¹⁾	Stages	3 contacts in serie	Stages	4 contacts in serie	Stages
1 pole	TD3101	1	TD3201	2	TD3351	3	TD3301	3	TD3401	4
2 pole	TD3102	2	TD3202	4	TD3352	6	TD3302	6	TD3402	8
3 pole	TD3103	3	TD3203	6	TD3353	9	TD3303	9	TD3403	12
4 pole	TD3104	4	TD3204	8	TD3354	12	TD3304	12	-	-
5 pole	TD3105	5	TD3205	10	-	-	-	-	-	-
6 pole	TD3106	6	TD3206	12	-	-	-	-	-	-

¹⁾ 3 contacts in the circuit: 2 contacts in serie in the +line, 1 contact in the -line
* Ratings applicable for Disconnectors in Photovoltaic

Customized contact developments are up on request. Please be so kind and advise the nominal current, voltage and utilization category as well as required terminal lugs.

► Electrical data of Change Over Switches

Rated Utilization Category	Contacts in series Permissible Voltage						Rated Operational Current Ie/A	
	1	2	3	4	5	6	G20S	G20
DC-21 A	250	500	750	1000	-	-	7	*
	440	880	-	-	-	-	1	*
DC-22 A	250	500	750	1000	-	-	3	*
	330	660	990	-	-	-	1	*
DC-23 A	24	48	72	96	120	144	20	*
	48	96	144	192	240	288	20	*
	60	120	180	240	300	360	15	*
	110	220	330	440	550	660	6	*
	160	320	480	640	800	960	3	*
	250	500	750	1000	-	-	1	*

* Electrical data on request

G20S/G20-Change Over Switches 1-2

SWITCHES

Pole	250 V 1 contact in serie	Stages	500 V 2 contacts in serie	Stages	750 V 2+1 contacts ¹⁾	Stages	750 V 3 contacts in serie	Stages	1000 V 4 contacts in serie	Stages
1 pole	D111	1	D211	2	-	-	-	-	-	-
2 pole	D112	2	D212	4	-	-	-	-	-	-
3 pole	D113	3	D213	6	-	-	-	-	-	-
4 pole	D114	4	-	-	-	-	-	-	-	-

For the use as supply change over reduced values apply upon request.

G20S/G20-Change Over Switches with 0 position 1-0-2

SWITCHES

1 pole	D121	2	D221	4	-	-	D321	6	D421	8
2 pole	D122	4	D222	8	-	-	D322	12	-	-
3 pole	D123	6	D223	12	-	-	-	-	-	-
4 pole	D124	8	-	-	-	-	-	-	-	-

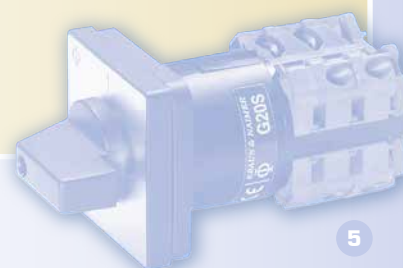
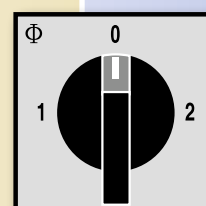
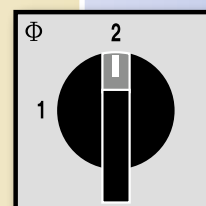
G20S/G20-Change Over Switches with 0 position 1-0-2

SWITCH DISCONNECTORS

1 pole	TD9121	2	TD9221	4	-	-	TD9321	6	TD9421	8
2 pole	TD9122	4	TD9222	8	-	-	TD9322	12	-	-
3 pole	TD9123	6	TD9223	12	-	-	-	-	-	-
4 pole	TD9124	8	-	-	-	-	-	-	-	-

¹⁾ 3 contacts in the circuit: 2 contacts in serie in the +line, 1 contact in the -line

Customized contact developments are up on request. Please be so kind and advise the nominal current, voltage and utilization category as well as required terminal lugs.



5

► Pre-configured Main Switches G20

Rated Utilization Category	Contacts in series Permissible Voltage				Rated Operational Current I_e/A G20
	1	2	3	4	
DC-23A	24	48	72	96	20
	48	96	144	192	12
	60	120	180	240	5
	110	220	330	440	3
	160	320	480	640	2
	250	500	750	1000	1

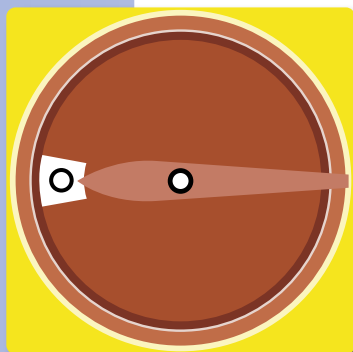
Pole	Main Switches	Main Switches with Emergency Function	Stages
1	G20 TD1101/01 E	G20 TD2101/01 E	1
2	G20 TD1102/01 E	G20 TD2102/01 E	2
3	G20 TD1103/01 E	G20 TD2103/01 E	3
4	G20 TD1104/01 E	G20 TD2104/01 E	4
5	G20 TD1105/01 E	G20 TD2105/01 E	5
6	G20 TD1106/01 E	G20 TD2106/01 E	6

1	G20 TD1201/01 E	G20 TD2201/01 E	2
2	G20 TD1202/01 E	G20 TD2202/01 E	4
3	G20 TD1203/01 E	G20 TD2203/01 E	6
4	G20 TD1204/01 E	G20 TD2204/01 E	8
5	G20 TD1205/01 E	G20 TD2205/01 E	10
6	G20 TD1206/01 E	G20 TD2206/01 E	12

1	G20 TD1301/01 E	G20 TD2301/01 E	3
2	G20 TD1302/01 E	G20 TD2302/01 E	6
3	G20 TD1303/01 E	G20 TD2303/01 E	9
4	G20 TD1304/01 E	G20 TD2304/01 E	12
1	G20 TD1351/01 E	G20 TD2351/01 E	3
2	G20 TD1352/01 E	G20 TD2352/01 E	6
3	G20 TD1353/01 E	G20 TD2353/01 E	9
4	G20 TD1354/01 E	G20 TD2304/01 E	12

1	G20 TD1401/01 E	G20 TD2401/01 E	3
2	G20 TD1402/01 E	G20 TD2402/01 E	6
3	G20 TD1403/01 E	G20 TD2403/01 E	9

Dimensions on page 9



48 x 48 mm

► Pre-configured Main Switches G20

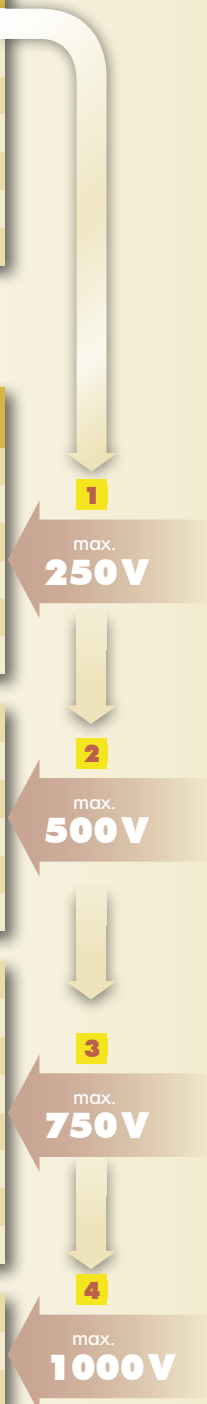
Rated Utilization Category	Contacts in series Permissible Voltage				Rated Operational Current I _e /A G20
	1	2	3	4	
DC-23 A	24	48	72	96	20
	48	96	144	192	12
	60	120	180	240	5
	110	220	330	440	3
	160	320	480	640	2
	250	500	750	1000	1

Pole	Main Switches	Main Switches with Emergency Function	Stages
1	G20 TD1101/04 FT2	G20 TD2101/04 FT2	1
2	G20 TD1102/04 FT2	G20 TD2102/04 FT2	2
3	G20 TD1103/04 FT2	G20 TD2103/04 FT2	3
4	G20 TD1104/04 FT2	G20 TD2104/04 FT2	4
5	G20 TD1105/04 FT2	G20 TD2105/04 FT2	5
6	G20 TD1106/04 FT2	G20 TD2106/04 FT2	6

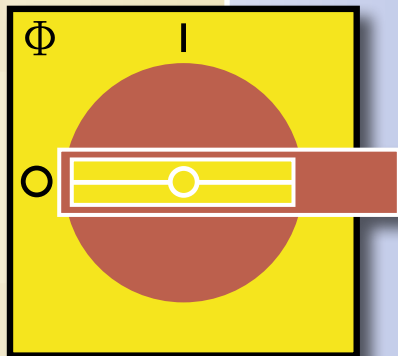
1	G20 TD1201/04 FT2	G20 TD2201/04 FT2	2
2	G20 TD1202/04 FT2	G20 TD2202/04 FT2	4
3	G20 TD1203/04 FT2	G20 TD2203/04 FT2	6
4	G20 TD1204/04 FT2	G20 TD2204/04 FT2	8
5	G20 TD1205/04 FT2	G20 TD2205/04 FT2	10
6	G20 TD1206/04 FT2	G20 TD2206/04 FT2	12

1	G20 TD1301/04 FT2	G20 TD2301/04 FT2	3
2	G20 TD1302/04 FT2	G20 TD2302/04 FT2	6
3	G20 TD1303/04 FT2	G20 TD2303/04 FT2	9
4	G20 TD1304/04 FT2	G20 TD2304/04 FT2	12
1	G20 TD1351/04 FT2	G20 TD2351/04 FT2	3
2	G20 TD1352/04 FT2	G20 TD2352/04 FT2	6
3	G20 TD1353/04 FT2	G20 TD2353/04 FT2	9
4	G20 TD1354/04 FT2	G20 TD2304/04 FT2	12

1	G20 TD1401/04 FT2	G20 TD2401/04 FT2	3
2	G20 TD1402/04 FT2	G20 TD2402/04 FT2	6
3	G20 TD1403/04 FT2	G20 TD2403/04 FT2	9



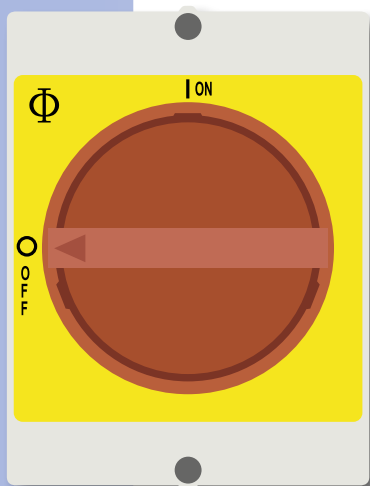
Dimensions on page 9



48 x 48 mm

► Pre-configured Main Switches G20

Dimensions
on page 9



A: Height: 81 mm
B: Height: 90 mm

Rated Utilization Category	Contacts in series Permissible Voltage		Rated Operational Current I_e/A G20
	1	2	
DC-23 A	24	48	20
	48	96	12
	60	120	5
	110	220	3
	160	320	2
	250	500	1

1

max.
250 V

Pole	Main Switches	Main Switches with Emergency Function	Height
1	G20 TD1101/33 KS51V	G20 TD2101/33 KS51V	A
2	G20 TD1102/33 KS51V	G20 TD2102/33 KS51V	B
3	G20 TD1103/33 KS51V	G20 TD2103/33 KS51V	B

2

max.
500 V

1	G20 TD1201/33 KS51V	G20 TD2201/33 KS51V	B
---	---------------------	---------------------	---

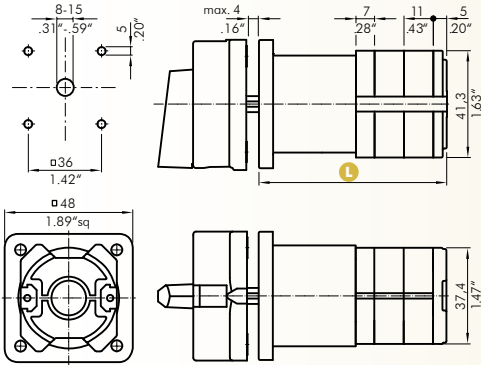


► Dimensions | Pre-configured Main Switches G20

G20 E

Four Hole Panel Mounting

lockable handle disk

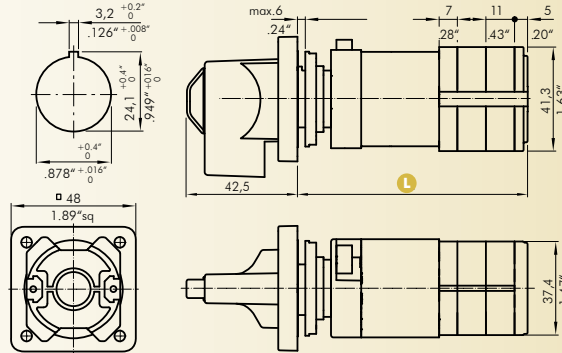


L G20

G20 FT2

Single Hole Mounting

handle with lock-bar



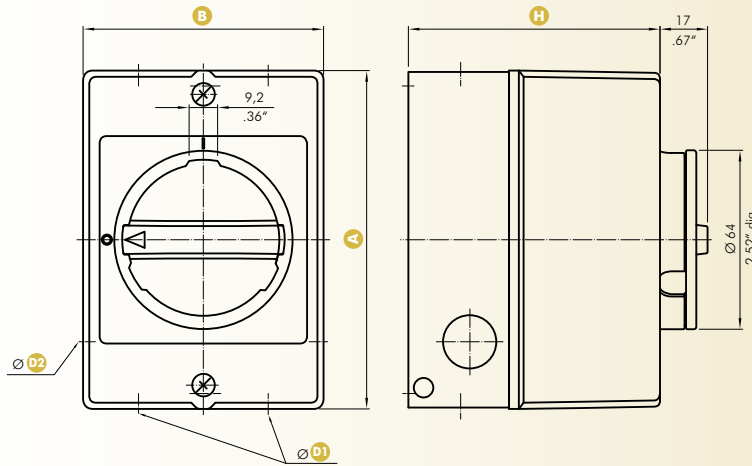
L G20

Fluchten	1	2	3	4	5	6	7	8	9	10	11	12
mm	42	53	78,8	89,8	100,8	111,8	122,8	133,8	144,8	155,8	166,8	177,8
Zoll	1.65"	2.09"	3.11"	3.54"	3.97"	4.40"	4.83"	5.27"	5.70"	6.13"	6.57"	7"

Fluchten	1	2	3	4	5	6	7	8	9	10	11	12
mm	60.2	71.2	97	108	119	130	141	152	163	174	185	196
Zoll	2.37"	2.80"	3.81"	4.25"	4.69"	5.12"	5.55"	5.98"	6.42"	6.85"	7.28"	7.72"

G20 KS51V

Enclosure



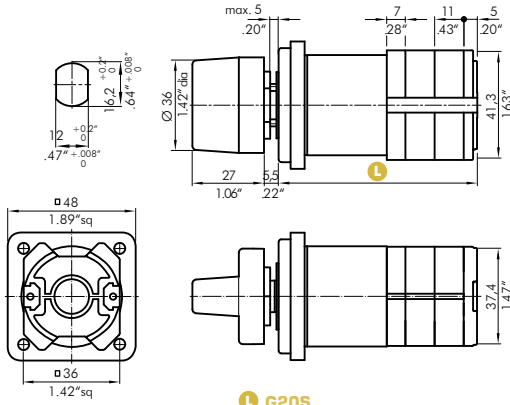
Enclosure KS51V

	A	B	D1	D2	H _A	H _B
mm	121	86	20.5	20.5	81	90
inch	4.76"	3.39"	0.81"	0.81"	3.19"	3.54"

► Dimensions | G20S/G20

G20S/G20 E

Four Hole Panel Mounting



L G20S

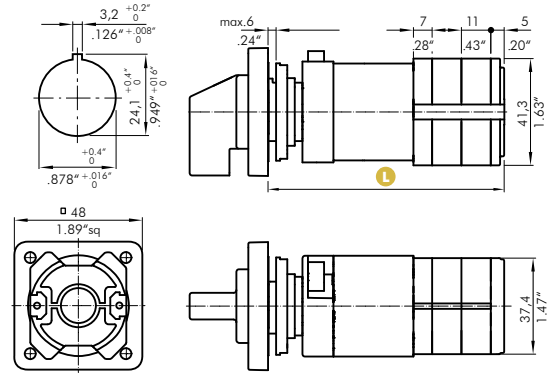
stages	1	2	3	4	5	6	7	8	9	10	11	12
mm	63.8	74.8	85.8	96.8	107.8	118.8	129.8	140.8	151.8	162.8	173.8	184.8
inch	2.51"	2.94"	3.38"	3.81"	4.24"	4.68"	5.11"	5.54"	5.98"	6.41"	6.84"	7.28"

L G20

stages	1	2	3	4	5	6	7	8	9	10	11	12
mm	46.5	57.5	68.5	79.5	90.5	101.5	112.5	123.5	134.5	145.5	156.5	167.5
inch	1.83"	2.26"	2.70"	3.13"	3.56"	4.00"	4.43"	4.86"	5.30"	5.73"	6.16"	6.59"

G20S/G20 FT2

Single Hole Mounting



L G20S

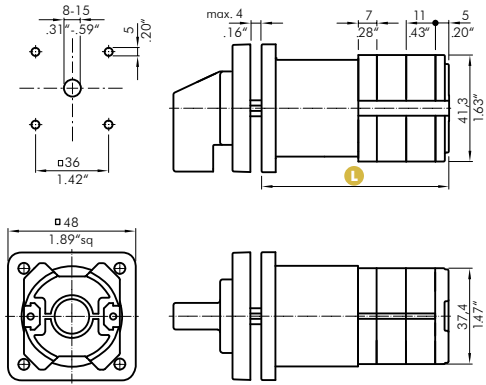
stages	1	2	3	4	5	6	7	8	9	10	11	12
mm	77.5	88.5	99.5	110.5	121.5	132.5	143.5	154.5	165.5	176.5	187.5	198.5
inch	3.05"	3.48"	3.92"	4.35"	4.78"	5.22"	5.65"	6.08"	6.52"	6.95"	7.38"	7.81"

L G20

stages	1	2	3	4	5	6	7	8	9	10	11	12
mm	60.2	71.2	97	108	119	130	141	152	163	174	185	196
inch	2.37"	2.80"	3.81"	4.25"	4.69"	5.12"	5.55"	5.98"	6.42"	6.85"	7.28"	7.72"

G20S/G20 E

Four Hole Panel Mounting



L G20S

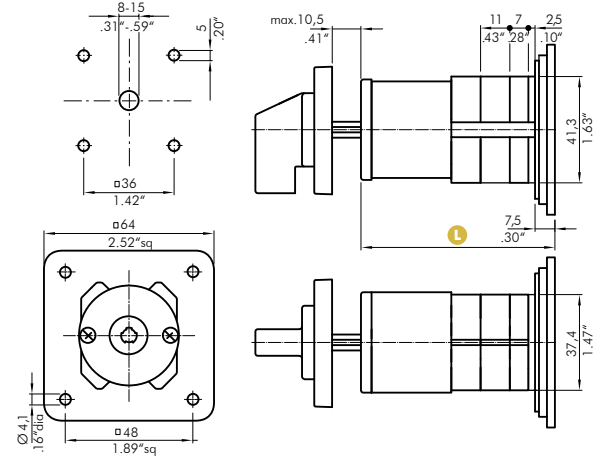
stages	1	2	3	4	5	6	7	8	9	10	11	12
mm	59.3	70.3	81.3	92.3	103.3	114.3	125.3	136.3	147.3	158.3	169.3	180.3
inch	2.33"	2.77"	3.20"	3.63"	4.07"	4.50"	4.93"	5.37"	5.80"	6.23"	6.67"	7.10"

L G20

stages	1	2	3	4	5	6	7	8	9	10	11	12
mm	42	53	78.8	89.8	100.8	111.8	122.8	133.8	144.8	155.8	166.8	177.8
inch	1.65"	2.09"	3.11"	3.54"	3.97"	4.40"	4.83"	5.27"	5.70"	6.13"	6.57"	7"

G20S/G20 VE

Base Mounting – Four Hole Mounting



L G20S

stages	1	2	3	4	5	6	7	8	9	10	11	12
mm	62	73	84	95	106	117	128	139	150	161	172	183
inch	2.44"	2.87"	3.31"	3.74"	4.17"	4.61"	5.04"	5.47"	5.91"	6.34"	6.77"	7.20"

L G20

stages	1	2	3	4	5	6	7	8	9	10	11	12
mm	44.7	55.7	66.7	92.5	103.5	114.5	125.5	136.5	147.5	158.5	169.5	180.5
inch	1.76"	2.19"	2.63"	3.64"	4.07"	4.51"	4.94"	5.37"	5.81"	6.24"	6.67"	7.11"



Catalog 100



Catalog 101



Catalog 110



Catalog 120



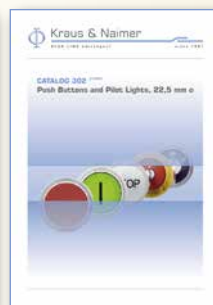
Catalog 130



Catalog 150



Catalog 200



Catalog 302



Catalog 500



**Main Switches
with spring clamp
terminals**

Catalog 100: C-, CA-, CAD-, CL-, L-Switches: 10A–2400A

Catalog 101: Optional Extras and Enclosures

Catalog 110: A-Switches: 6A - 25A

Catalog 120: CG-, CH-, CHR-Switches: 10A–25A

Catalog 130: DH-, DHR,- DK-, DKR-, D-Switches: 20mA–25A/30mV–690V

Catalog 150: KG/KH-Switches: 20A–315A

Catalog 200: Contactors 16 A–115 A, Motor Starters 1,5 kW–55 kW

Catalog 302: Push Buttons and Pilot Lights, 22.5mm

Catalog 500: Main Switches, Maintenance Switches, Switch Disconnectors

Main Switches and Switch Disconnectors KC Switch Series 16A–32A



Kraus & Naimer

BLUE LINE switchgear

www.krausnaimer.com

